

**RLIDE**



## Disteo 23

More than a theodolite.

### Distance is never a gap to the target!

Integrated EDM on Disteo 23 delivers an accurate and fast distance measuring performance. 300m distance with prism can be easily achieved with a high precision of 3mm+2ppm. No more stadia measurement or measuring tape. With Disteo 23, just AIM and MEASURE!

## INNOVAITON



300m distance measuring with prism, with 3mm+2ppm distance accuracy. No need of measuring tape or stadia measurement for distance.



Ergonomic full numeric keypad with shortcut keys. No need to note down any combination key or hidden menu to set the instrument. All settings can be found and configured via shortcut key or onboard software.

## FEATURES



Fast and easy polar coordinate staking out points in field with the distance measuring function.



Manually input the temperature and pressure and correct the measured distance in real time.

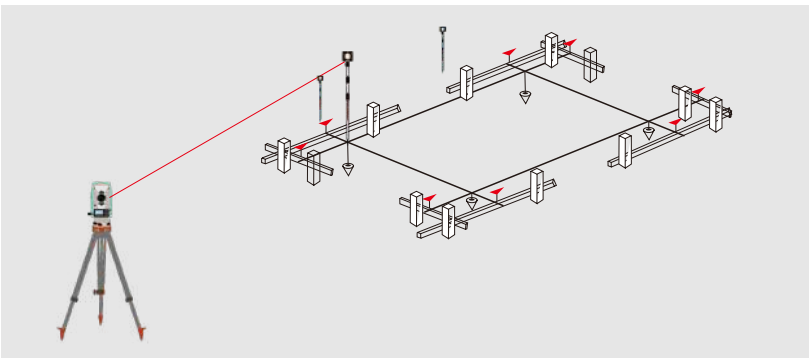


Integrated laser plummet for easy setup.



Coaxial visible laser beam for fast aiming.

## APPLICATION



During the advance works of construction, staking out the control points is crucial and essential. The accuracy of these control points directly affects the main structure, and therefore the whole process of the construction, such as the concrete deposit, earth fill or excavation.

Axis staking out on Disteo 23 is an unique program that helps to stake out these control points in an easier way. After inputting the offset value from these control points to the known building axis, the program will calculate and indicate you to find the points in field.

## SPECIFICATION

### DISTANCE MEASURE

Range	300m
Accuracy	±(3mm+2ppm*D)
Measure Time	Continuous: 0.35s, Fine: 1.5s
PPM Correction	Manual input, auto correct.
Prism Constant	Manual input, auto correct.

### ANGLE MEASURE

Type	Absolute Encoding
Min. Reading	1"
Accuracy	2"
Detection Method	Horizontal: Dual; Vertical: Dual

### TELESCOPE

Image	Erect
Magnification	30x
Effective Aperture	40mm
Resolving Power	3"
Field of View	1°30'
Min. Focus	1.5m
Stadia Accuracy	≤0.40%/L
Tube Length	155mm

### COMPENSATOR

Type	Single Axis
Working Range	3'
Accuracy	3"

### LEVEL

Plate Vial	30"/2mm
Circular Vial	8'/2mm

### LASER TUBE

Wave Length	635±20nm
Laser Class	Class II
Spot Diameter	≤5mm/100m
Axis Error	≤10"

### LASER PLUMMET

Accuracy	±1.5mm
Spot Diameter	±2.5mm
Length	635±20mm
Laser Class	Class II

### DISPLAY UNIT

Size	2.7 inches, 160x96 dot
No. of Lines	4 lines

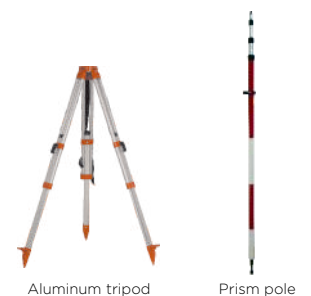
### POWER SUPPLY

Battery	Li-ion Rechargeable / AA Battery
Voltage	7.4V
Working Hrs	8 hrs

### PHYSICAL

Working Range	-20°C - +50°C
Size	165*160*340mm
Weight	4.7kg

### Recommend Accessories



Aluminum tripod

Prism pole



Prism set



7F, Sicheng Road, Guangzhou 510663, China  
 +86-20-23380961  
<http://www.ruide.xyz>  
[support@ruideinstrument.com](mailto:support@ruideinstrument.com)

ruideinstrument

RUIDEPositioning